

# Rotating cleaning nozzle NanoSpinner 2 Series 5M1



## Features:

- Compact design for confined spaces
- Hygienic design
- Suitable for high temperatures
- Completely made of stainless steel 1.4404 (316L) or 2.4602 (Alloy 22)



Function video  
[www.lechler.com/de-en/medialibrary/videos-general-industry](http://www.lechler.com/de-en/medialibrary/videos-general-industry)  
 Or scan the QR code.

Series 5M1

## Technical data:



**Maximum operating temperature**  
 200 °C  
 95 °C (ATEX)



**Maximum ambient temperature**  
 250 °C  
 200 °C (ATEX)



**Installation**  
 Operation in every installation position



**Bearing**  
 Double ball bearing made of stainless steel 1.4404 (316L) or 2.4602 (Alloy 22)



**Material**  
 Stainless steel 1.4404 (316L) or 2.4602 (Alloy 22)



**Weight**  
 20 g



**Surface quality**  
 $Ra \leq 0.4 \mu m$   
OUTSIDE



**Surface quality**  
 $Ra \leq 0.8 \mu m$   
INSIDE



**Steam suitability**  
 Not suitable



**Insertion diameter**  
 17–34 mm



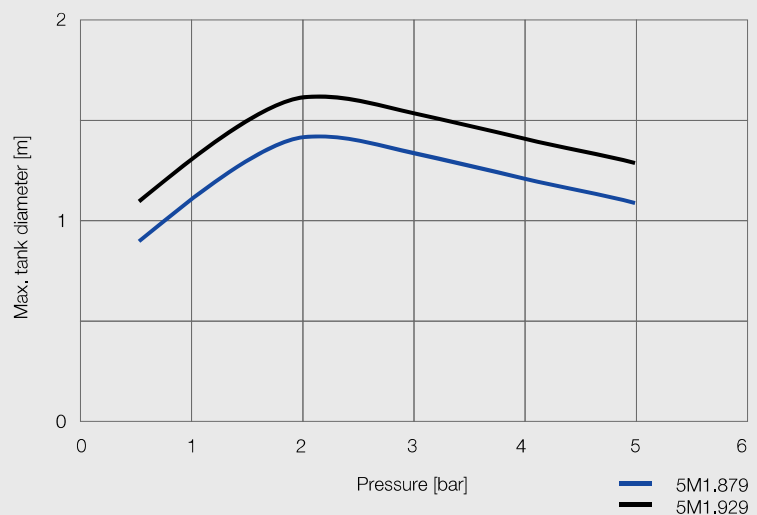
**Recommended filter**  
 Line strainer with a mesh size of 0.1 mm/170 mesh



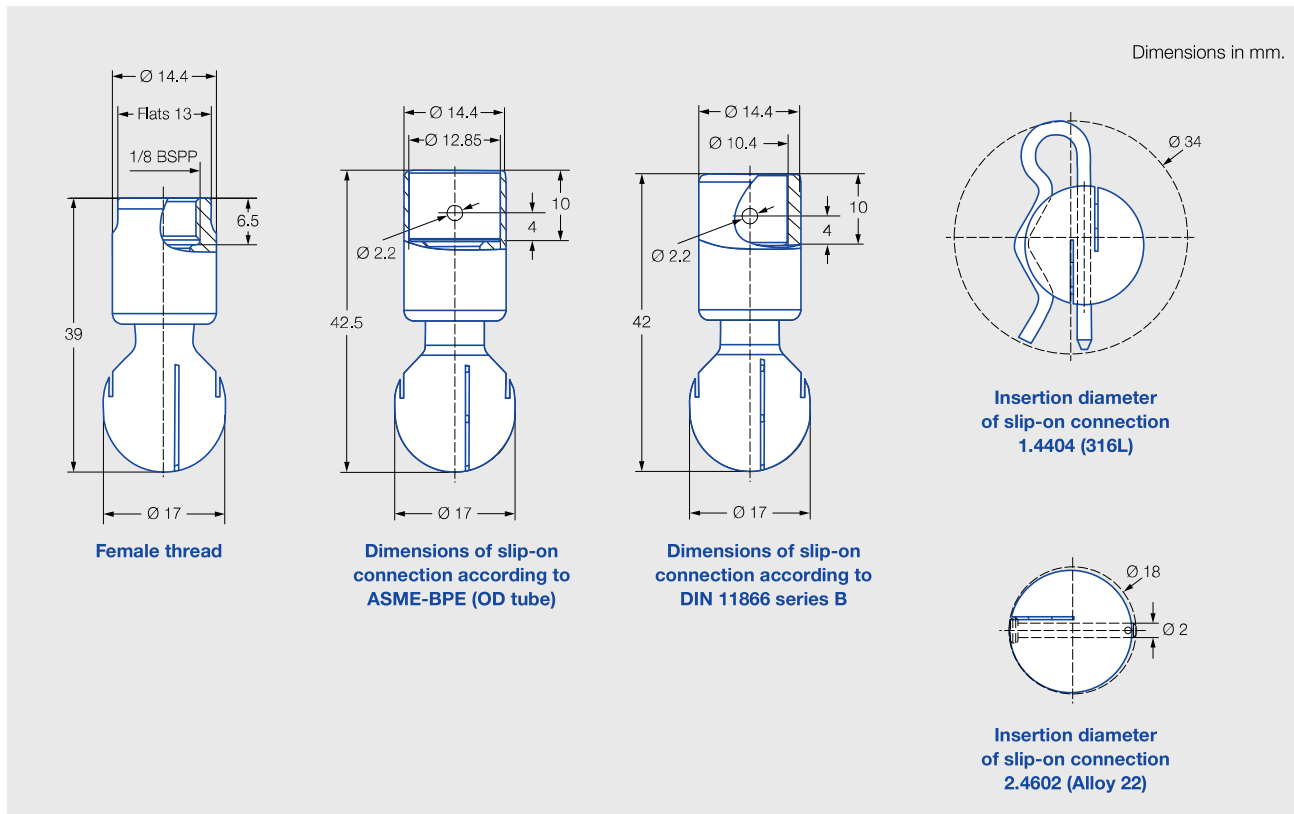
**Recommended operating pressure**  
 2 bar



**Max. tank diameter**  
 The specified maximum tank diameter applies to the recommended operating pressure and is indicative only. The type of soiling is also decisive for the cleaning result.



Overview of maximum tank diameter depending on pressure



Spray angle	Ordering no.						Narrowest cross-section $\varnothing$ [mm]	V water [l/min]			V water at 2 bar [m <sup>3</sup> /h]	Max. tank diameter [m]
	Type	Mat. no.		Connection				p [bar] (p <sub>max</sub> = 7 bar)				
		1Y	21	1/8 BSPP	$\varnothing 10.2$ mm in accordance with DIN 11866 Series B	1/2" slip-on connection		1.0	2.0	3.0		
360° 	5M1.879	●	●	AB	TF04	TF05 <sup>1</sup>	0.4	11	15	18	0.9	1.4
	5M1.929	●	●	AB	TF04	TF05 <sup>1</sup>	0.5	14	20	25	1.2	1.6

<sup>1</sup> The connection variant TF05 is not available as an ATEX variant.

NPT threads and weld-on version on request.

#### Information on operation

Compressed air can be used only for a short time for blowing dry. Use above the recommended pressure will have a negative effect on the cleaning result and wear.

#### Information on slip-on connection

- Cotter pin made of stainless steel 1.4404 (316L) included (ordering no. 05M.130.1Y.00.00). For version made of 2.4602 (Alloy 22), bolt with head incl. cotter pin included (ordering no. 05M.131.21.00.00).
- Depending on the adapter diameter, the flow rate may increase due to the leakage between the adapter and rotating cleaning nozzle.

#### Ordering example with FDA and (EC) 1935/2004 conformity.

All materials are suitable for contact with food.



Type + Material no. + Connection = Ordering no.  
 5M1.879 + 1Y + AB = 5M1.879.1Y.AB

#### Ordering example with ATEX approval, FDA and (EC) 1935/2004 conformity.

##### Unit group/Category/Zones:

- Ex II 1G Ex h IIB T6...T2 Ga
- Ex II 1D Ex h IIIC T85 °C...T250 °C Da



##### Important

The code for the connection changes for the ATEX version with slip-on connection.  
 Ordering example for slip-on connection: 5M1.879.1Y.T0.EX

Type + Material no. + Connection + ATEX = Ordering no.  
 5M1.879 + 1Y + AB + EX = 5M1.879.1Y.AB.EX